

## INSTALLATION INSTRUCTIONS

DESCRIPTION: Powered Subwoofer Kit

PART NUMBER: B5H-H81D0-T0

MODEL: 2016-2020+ YXZ 1000R



### ⚠ WARNING

Please read and understand these instructions completely before installation to avoid possible injury, or damage to the accessory or vehicle.

### WARRANTY INFORMATION:

In the United States, see your Yamaha dealer for a copy of the Yamaha Genuine Parts and Accessories Limited Warranty.

### NOTICE:

Installation of this kit requires a torque wrench and should be performed by an authorized Yamaha dealer or a qualified mechanic.

### DEALER OR INSTALLER:

These instructions contain important information for future reference and *must* be given to the customer.

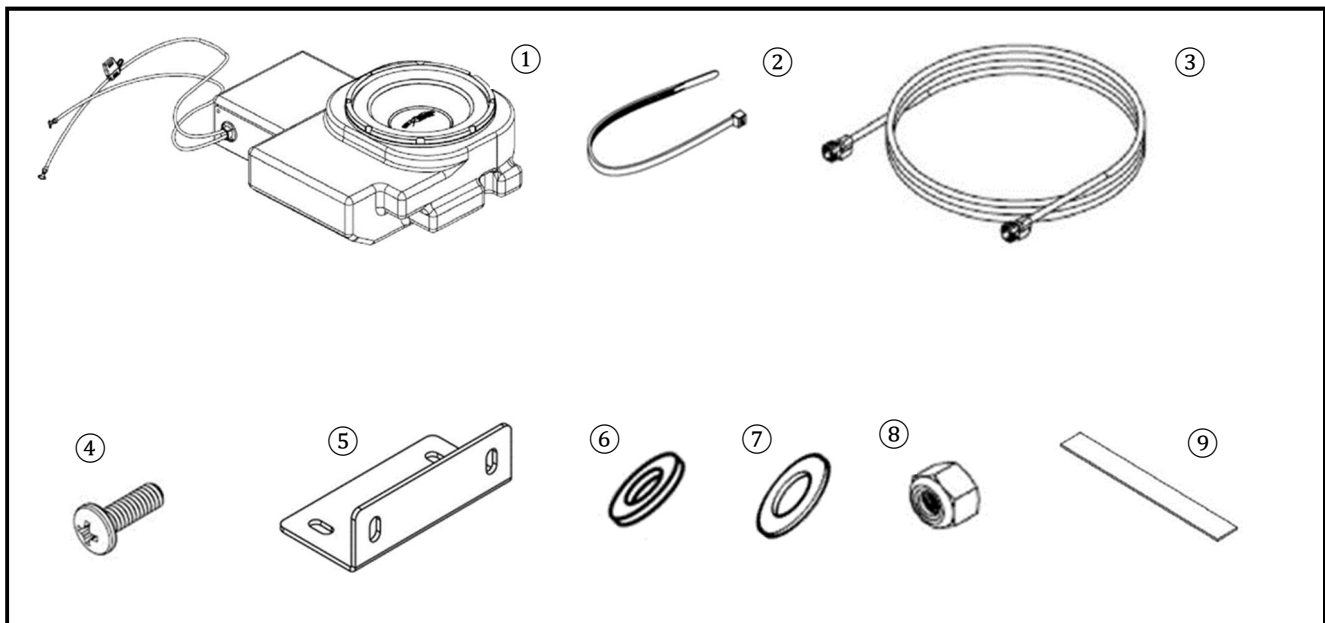
### COMPONENTS NOT INCLUDED IN THIS KIT:

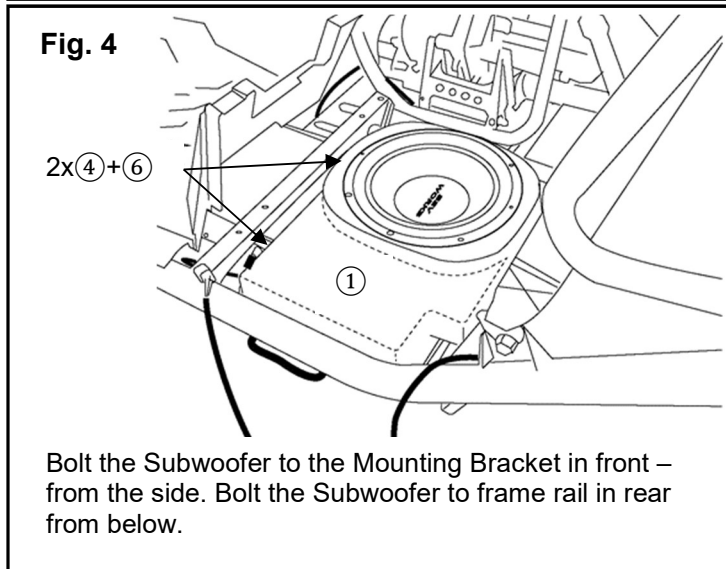
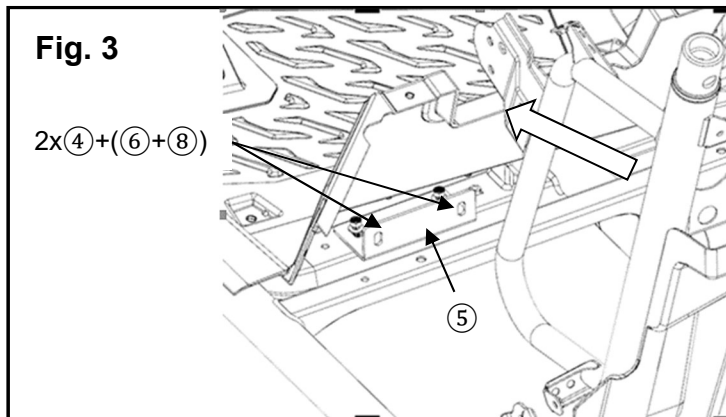
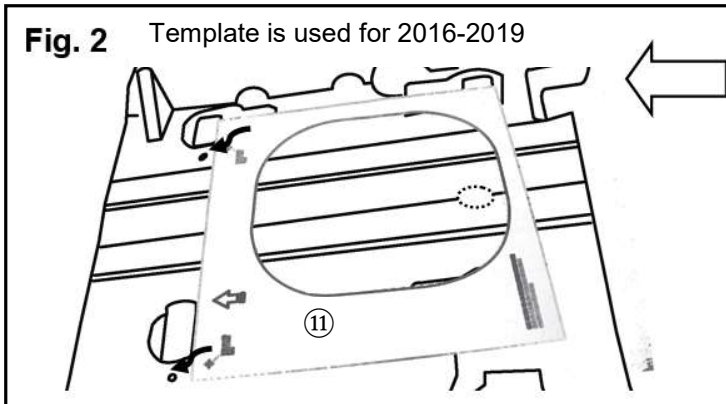
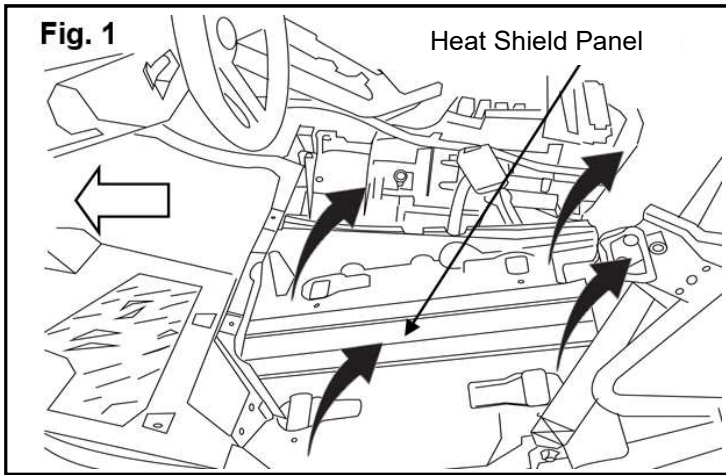
Required: **Audio System** p/n B5H-H81C0-V0; Recommended: **2nd Battery Kit** p/n B5H-H21B0-V0, **Cargo Box Kit** B5H-F83P0-V0 and **Speaker Pod Add-on Kit** B5H-H81D0-V0.

### PARTS LIST:

No.	Part Number	Description	Qty
--	<b>B5H-H81D0-T0</b>	Powered Subwoofer Kit	--
①	-	Powered Subwoofer w/ fuseholder	1
②	-	8" Cable Tie	5
③	-	Audio Extension Harness 69"	1
④	-	M6 x 16mm screw	6
⑤	-	Side Mounting Bracket	1
⑥	-	#10 x 14mm Washer	4
⑦	-	#10 x 25mm Washer	2
⑧	-	M6 Locknut	2
⑨	-	3/4" x 6" Rubber Adhesive Backed Bumper	1
⑩	-	Subwoofer Hole Template (not shown)	1

\* Part supplied with kit only and not available separately.



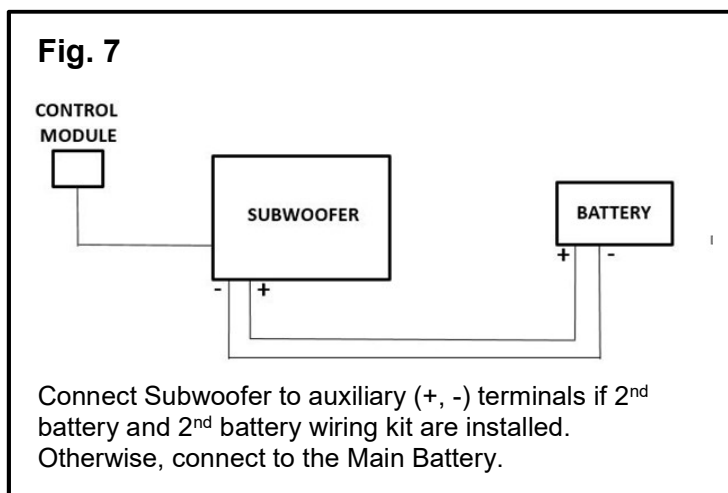
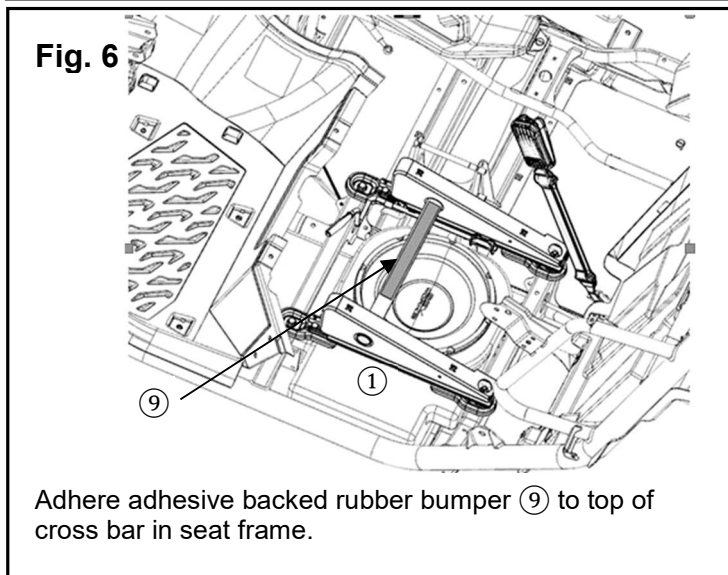
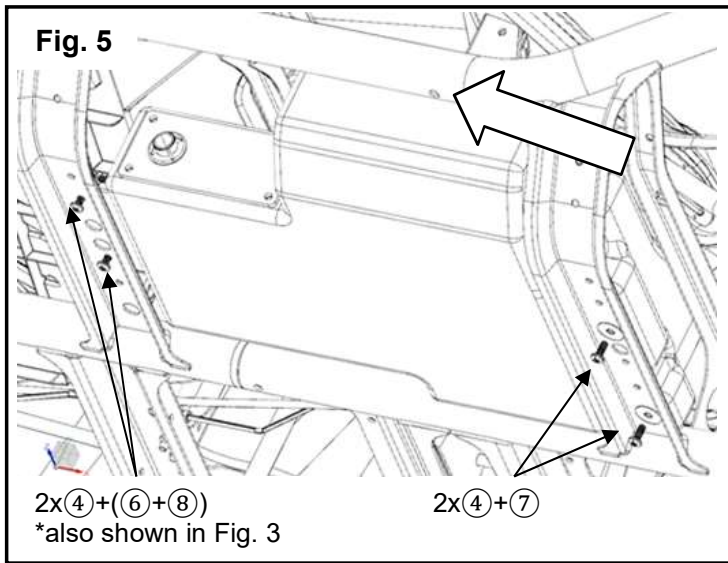


## PREPARATION:

- Place the vehicle on a secure and level surface.
- Set the parking brake.
- Clean the mounting surfaces before beginning installation.

## INSTALLATION:

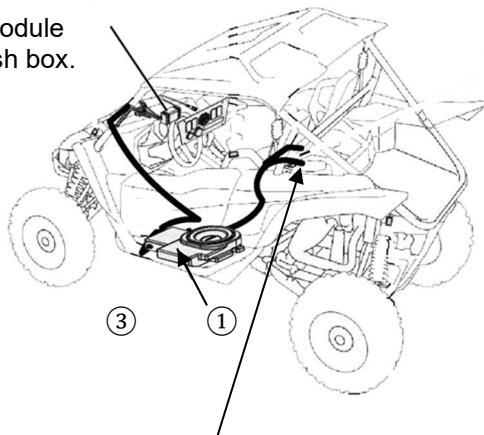
1. Remove the driver's seat, driver's seat mount frame, heat shield panel under the driver's seat (shown in Fig. 1), both covers over the center console, the left side cover of center console, and left side skid plate underneath the vehicle. Retain all parts for reuse. Refer to the Owner's Manual and Service Manual for procedures.
2. **(For 2020 and up vehicles, skip to Step 8. This panel is not installed on these vehicles.)** Use a sharp utility knife and cut along the dotted lines on the (10) Subwoofer Hole Template. The template, with the cutout, is shown in (Fig. 2).
3. Cut out the rivet holes on the (10) Subwoofer Hole Template.
4. Place the heat shield panel on a work table. Use the rivet holes on the heat shield panel to position the Subwoofer Hole Template. Align the template on the panel. (Fig. 2)
5. Use a white permanent marker to trace the inside edge of the (10) Subwoofer Hole Template. This will be the outline of the hole to be cut in the heat shield panel. You can set the template aside as it will not be reused.
6. Use a 1" hole saw to drill a starting hole inside the boundaries of the hole for the subwoofer. The approximate location of the 1" hole is shown in Fig. 2.
7. Use a reciprocating saw with a blade suitable for cutting soft plastic to cut along the line you traced. Start from the 1" hole. Discard the plug you cut from the panel. Set the heat shield panel aside for later use.
8. Working inside the cab, in the driver's seat area, install the (5) Side Mounting bracket to the frame. Use two (4) M6 x 16mm screw, two (6) 10 x 14mm Washers, and two (8) M6 Locknuts. **Note:** The bolts are inserted from beneath the rail, passed through the L bracket, through the washers, and thread into the lock nuts. (Fig. 3)
9. Working from inside the vehicle, angle the (1) Subwoofer into the space between the frame rails (Fig. 4).
10. Align the threaded holes in the side of the (1) Subwoofer with the holes in the (5) Side Mounting Bracket. Use two (4) M6 x 16mm screws, two (6) #10 x 14mm Washers to secure the (1) Subwoofer to the (5) Side Mounting Bracket. (Fig. 4).
11. Align the threaded holes in the rear of the (1) Subwoofer with the holes on the frame cross member. Use two (4) M6 x 16mm screws and two (7) #10 x 25mm Washers to secure the (1) Subwoofer to the frame cross member (Fig. 5).



12. Route the ③ Audio Extension Harness to the center console area, then forward, up to and through the dash wall. Secure with ② Cable Ties as you go.
13. Working from the front of the vehicle, connect the ③ Audio Extension Harness cable to the appropriate connector from the control module from the audio system. (Fig. 8)
14. Route power cables from the Subwoofer to the center console area and then back to the battery area. Secure with cable ties as you go – see Fig. 8
15. If you have installed the 2<sup>nd</sup> Battery and the 2<sup>nd</sup> Battery Wiring Kit, connect the power cables to the appropriate auxiliary terminal (Red=+; Black=-). Otherwise connect the power cables to the appropriate terminal on the stock main battery.
16. Adjust the ① Subwoofer to seat and center it in the mounts. Then torque mount screws to 6 Nm (0.6 m-kg or 4.5 ft-lb).
17. Re-install stock heat shield panel, with the speaker portion of the ① Subwoofer surrounded by the cutout made in Step 7.
18. **(For 2020 and up vehicles, this step is omitted because there is not a cross tube on the seat bracket.)** Re-install Seat Frame. Apply ⑨ Adhesive Backed Rubber Bumper to the stock seat frame at location shown in (Fig. 6)

Control module  
inside dash box.

**Fig. 8**



+ and – Terminals of battery or auxiliary terminals (if installed).

Connect Audio Extension Harness 69" (3) to connector in Electrical bay. Connector cable originates from Control Module inside Dash Box.

**MAINTENANCE:**

Periodically, check torque and tightness on all hardware. If loose hardware is found, re-torque or re-tighten. Periodically inspect accessory wiring for chaffing and rubbing and adjust position and cable ties as needed.

**CARE AND CLEANING:**

Clean painted metal parts with a clean soft cloth and mild soap and water solution. Rinse and dry.

**CUSTOMER SERVICE:**

For further information see your Yamaha dealer.

**ESTIMATED TIME TO INSTALL: 2.0 HRS.**